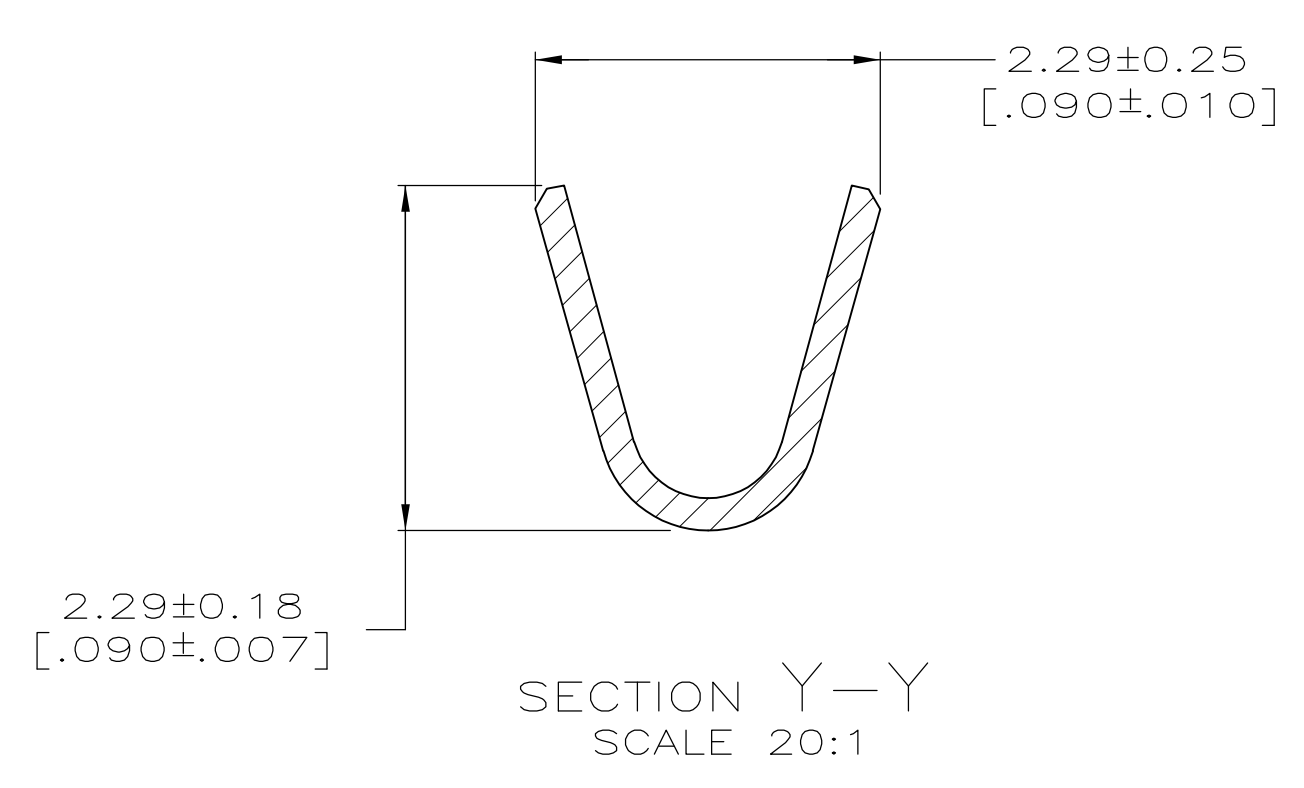
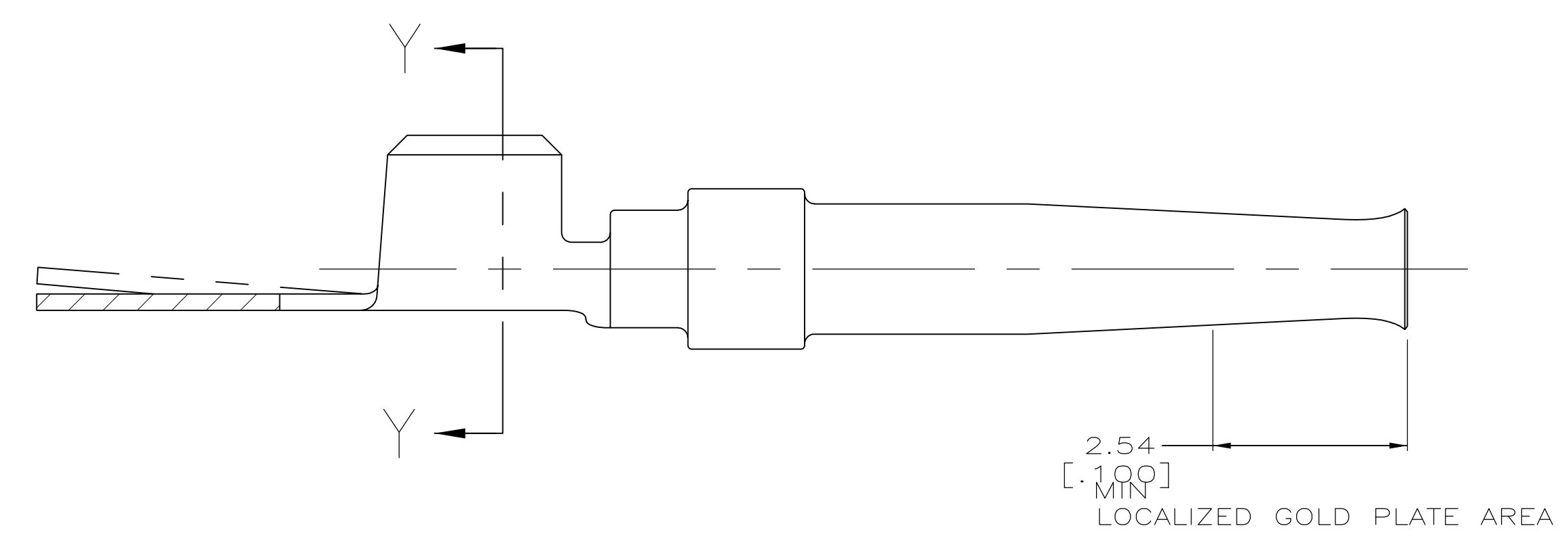


- 1. FOR MINI-APPLICATOR.
- 2. MAX. INSULATION DIAMETER ALLOWABLE FOR EXTRACTING CONTACT FROM CONNECTOR WITH 91067-2 TOOL IS 1.73 [.068].
- 3. GOLD FLASH ON INSIDE OF LOCALIZED GOLD PLATE AREA, 2.54μm [.000100] TIN PLATED ON CRIMP BARRELS, ALL OVER 0.76μm [.000030] NICKEL UNDERPLATE.
- 4. PLATED WITH 0.76μm [.000030] GOLD ON INSIDE OF LOCALIZED GOLD PLATE AREA, 2.54μm [.000100] TIN ON CRIMP BARRELS, ALL OVER 1.27μm [.000050] NICKEL UNDERPLATE.
-OR-
GOLD FLASH OVER PALLADIUM-NICKEL 0.76μm [.000030] TOTAL ON INSIDE OF LOCALIZED GOLD PLATE AREA, 2.54μm [.000100] TIN ON CRIMP BARRELS, ALL OVER 1.27μm [.000050] NICKEL UNDERPLATE.



4	1658542-2
3	1658542-1
FINISH	PART NUMBER 1

THIS DRAWING IS A CONTROLLED DOCUMENT.		DWN R. SAMICK	14AUG03	Tyco Electronics Corporation Harrisburg, PA 17105-3608
DIMENSIONS: mm [INCHES]		CHK S. BOLASH	14AUG03	
TOLERANCES UNLESS OTHERWISE SPECIFIED:		APP'D M. WALMSLEY	14AUG03	NAME CONTACT, SOCKET,
0. PLC	± -	PRODUCT SPEC		20 DF, 18-22 AWG, AMPLIMITE
1. PLC	± -	APPLICATION SPEC		RESTRICTED TO
2. PLC	± 0.13 [.005]	MATERIAL		PHOS BRONZE
3. PLC	± -	FINISH		SEE TABLE
4. PLC	± -	WEIGHT		-
ANGLES		SIZE		A1
FINISH		DRAWING NO		00779
SEE TABLE		SCALE		15:1
CUSTOMER DRAWING		SHEET		1 OF 1
		REV		D